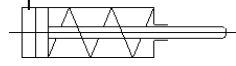




**ORSAN TİCARİ ARAÇ FREN SİSTEMLERİ A.Ş.**  
Türkgücü OSB Mah. Yılmaz Alpaslan Cad. No:69/1 Çorlu 59850 Tekirdağ / TURKEY  
Tel : +90 282 681 84 00 (9 hat) Fax : +90 282 681 84 14-15  
e-mail: info@orsantr.com  
www.orsantr.com

Graphic Symbol

DIN ISO 1219



**SERVICE BRAKE CHAMBER  
(For Drum Brake)**




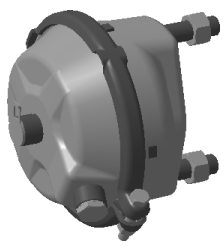

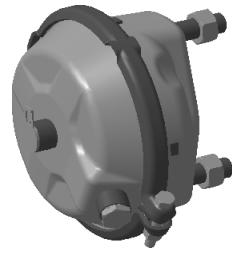
**Operation:**

The pressured air which placed in the vehicle's air system goes inside from brake chamber and forces to push the brake diaphragm. As an affect of this process, force is created by piston plates and this force is transferred by brake's control lever. Braking systems is working at the end of this process. When the pressured air transferred to the atmosphere from brake chamber, return spring goes back to it's first state.

**Technical Features:**

Operation Pressure	:	10 bar
Temperature Range	:	- 40 °C +80 °C
Medium	:	Air
Force of Return Spring at Stroke 0 mm	:	150 +30 / -20 N
Stroke	:	57...64 stroke

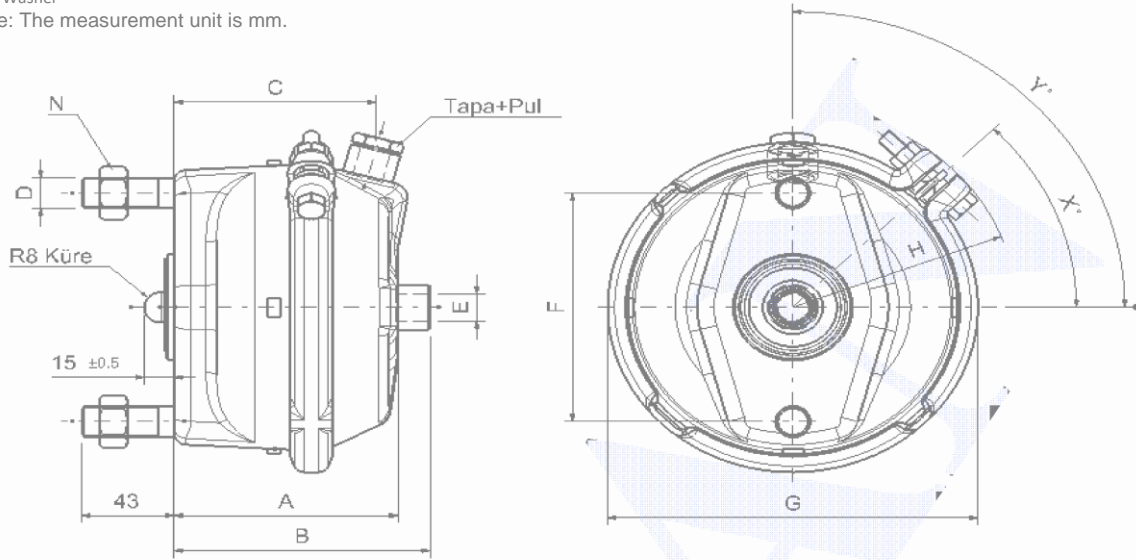
**Product Type:**

	<b>16" 57 Stroke</b>  Orsan Part Number: <b>30716210</b>  Knorr Part Num.: BS3300		<b>16" 57 Stroke</b>  Orsan Part Number: <b>30716215</b>  Bpw Part Num.: 05.444.32.01
	<b>20" 64 Stroke</b>  Orsan Part Number: <b>30720210</b>  Knorr Part Num.: BS3404		<b>20" 64 Stroke</b>  Orsan Part Number: <b>30720215</b>  Bpw Part Num.: 05.444.34.01.1
	<b>24" 64 Stroke</b>  Orsan Part Number: <b>30724210</b>  Knorr Part Num.: BS3509		<b>24" 64 Stroke</b>  Orsan Part Number: <b>30724215</b>  Bpw Part Num.: 05.444.36.01

**Dimensions:**

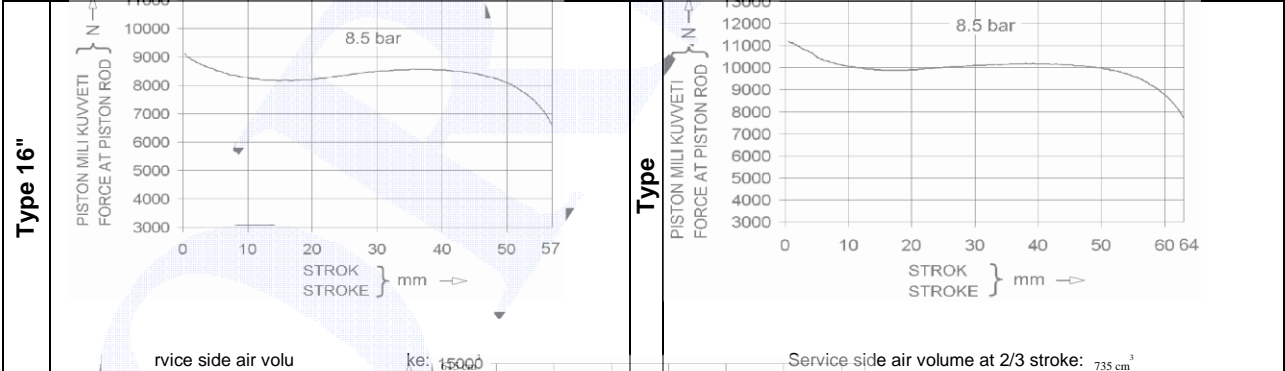
Cap+Washer

Note: The measurement unit is mm.



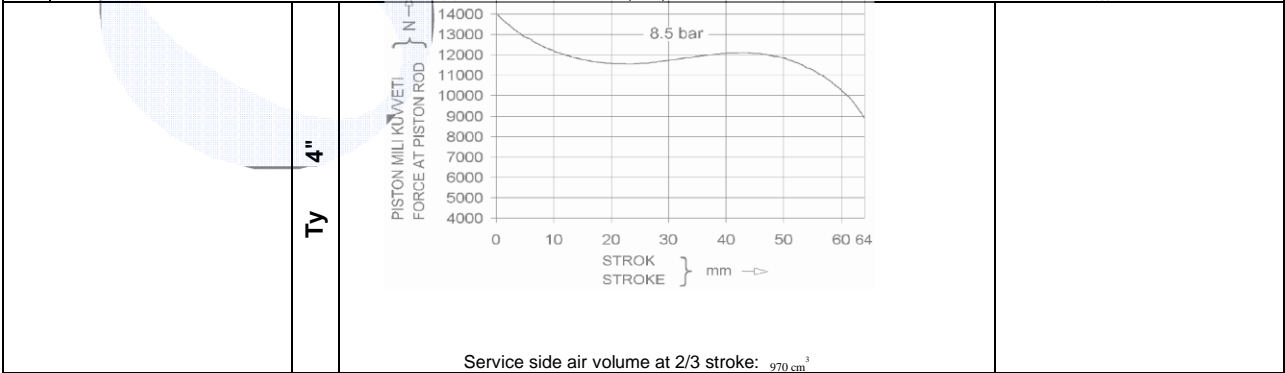
Part Num.:	Type:	A	B	C		F	G	H	X	Y	Cap+Washer+N	Weight
30716210	16	97,5	-	86		120,7	164	01	-45	-180	-	2,9 kg
30716215	16	97,5	111,5	86	M16x1,5	120,7	164		-210	-210	X	3,0 kg
30720210	20	106	-	95	M16x1,5			10	-45	-180	-	3,3 kg
30720215	20	106	122	95	M16x			104,5	-210	-210	X	3,4 kg
30724210	24	105	-	95,5			18	111	-45	-180	-	3,5 kg
30724215	24	105	119	95,5	M16x1,5	120,7	186	111	-210	-210	X	3,6 kg

**Service Diaphragm Force Output:**



Service side air volume

Service side air volume at 2/3 stroke: 735 cm<sup>3</sup>



Service side air volume at 2/3 stroke: 970 cm<sup>3</sup>